

# TASQ

Standing Supports



 **WORKSEATS**<sup>®</sup> Technology



The Tasq Standing Support is designed to provide ergonomic physical relief to the body posture of any employee whose duties require standing performance, thereby avoiding many common industrial repetitive motion injuries.



- Standing aid with PU foam upholstery and climatic comfort.
- Heavy guage steel, spring loaded seat mechanism allows 14° forward seat tilt adjustment.
- Intergrated carrying handle.
- Precision, Stepless Gas Cylinder.
- Optional 18" Diameter Footrest.



# TASQ

## Standing Supports

	Model #	Description
	<b>WS4011TPU</b>	Flexible Polyurethane, Cushioned Work Seat assembly, mounted on a High Gas Lift and 17" Diameter Enamel Disc Base with Polyurethane Edging. (Seat: 12"D x 14"W). Height Adjustment 26" to 34".
	<b>WS4211TPU</b>	Flexible Polyurethane, Cushioned Work Seat assembly, mounted on a High Gas Lift and 17" Diameter Enamel Disc Base with Polyurethane Edging. (Seat: 14"D x 15 1/2"W). Height Adjustment 26" to 34".

	Model #	Description
	<b>WS4311GT</b>	ESD Gray Fabric, Cushioned Work Seat assembly, mounted on a High Gas Lift and 17" Diameter Enamel Disc Base with Polyurethane Edging. (Seat: 12"D x 14 1/2"W). Height Adjustment 26" to 34".
	<b>WS3222</b>	Flexible Polyurethane, Cushioned Work Seat assembly, mounted on a Four Caster Enamel Tool Caddy. Caddy measures 13 1/2" x 13 1/2" x 3 1/4". (Seat: 12"D x 14"W). Height Adjustment 12" to 17".

### Features:

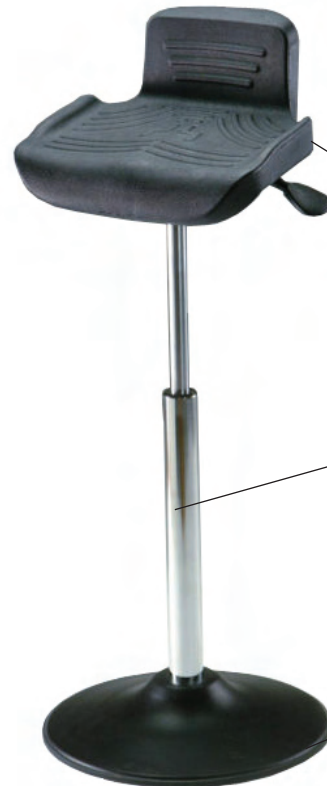
The molded polyurethane integral seat surface promotes air circulating breathability for maximum comfort and durability.



Heavy gauge steel, spring loaded seat mechanism allows 14 degrees forward seat tilt adjustment for workers who stand while performing their job.



Optional 22" Disc Base.



Standing supports reduce fatigue from continuous standing by helping to relieve static weight loads on a workers back and legs.

Shock absorbing sealed pneumatic gas cylinder is unsurpassed in providing state of the art excellence in seat height adjustment.

17" diameter enamel disc base with polyurethane non-slip edging.



A Division of NSS Enterprises, Inc.

Phone: 800.889.4049  
 Fax: 419.578.2274  
 3115 Frenchmens Road  
 Toledo, Ohio 43607-2958  
[www.milagon.com](http://www.milagon.com)

Distributed  
by: